

# VoWifi

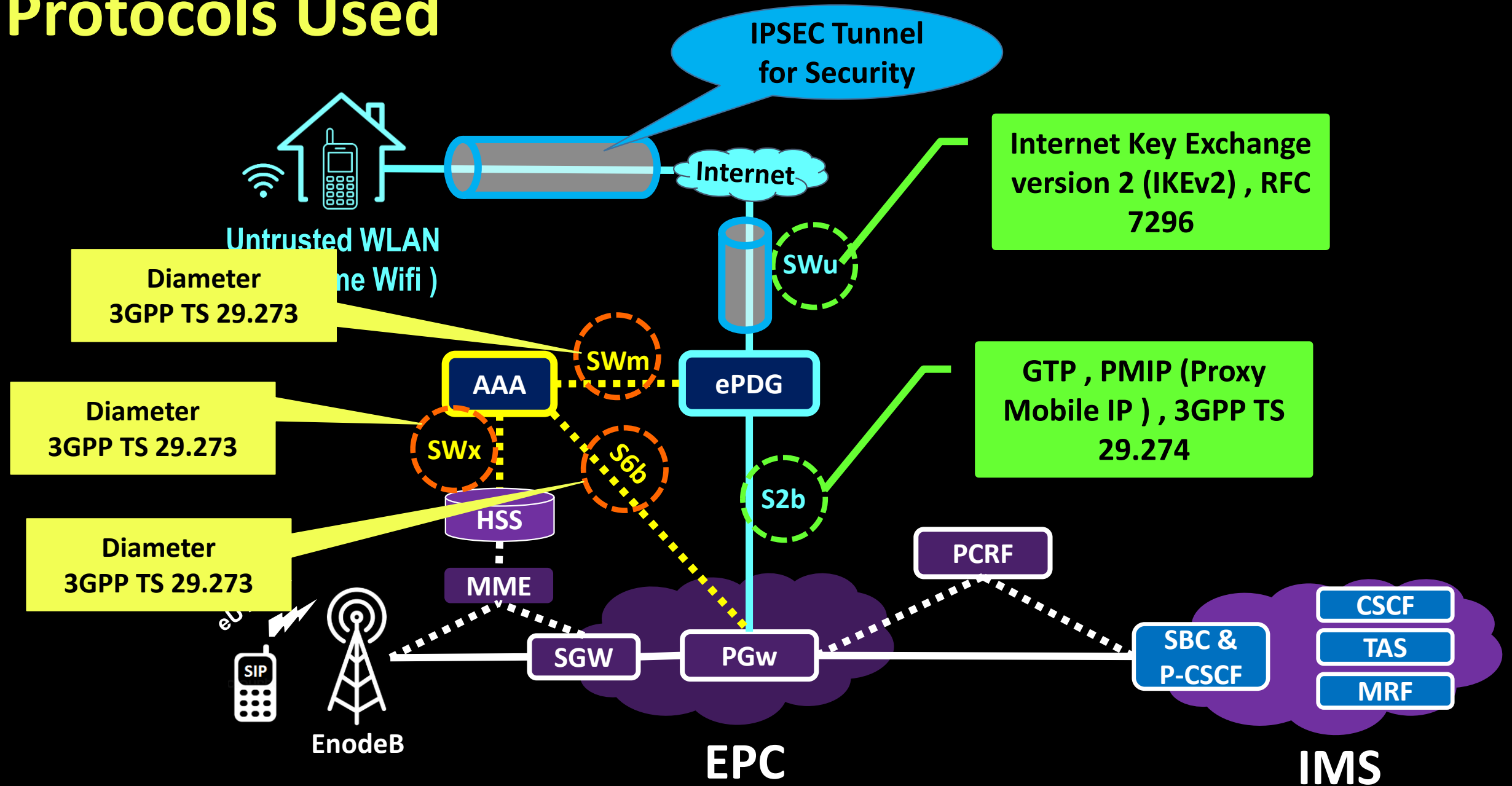
04

- Interfaces
- Links
- Protocols

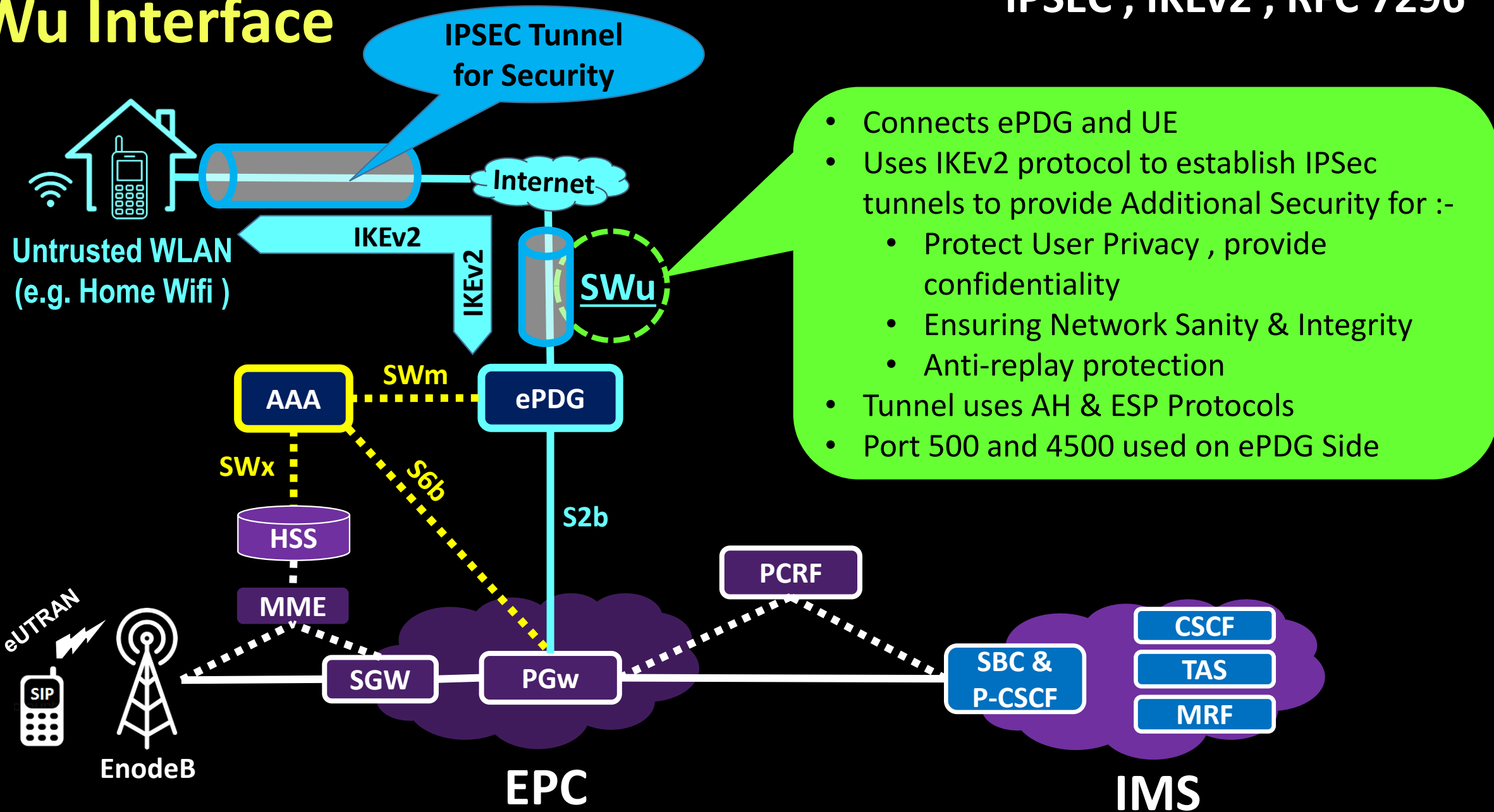


## Wifi Calling Architecture

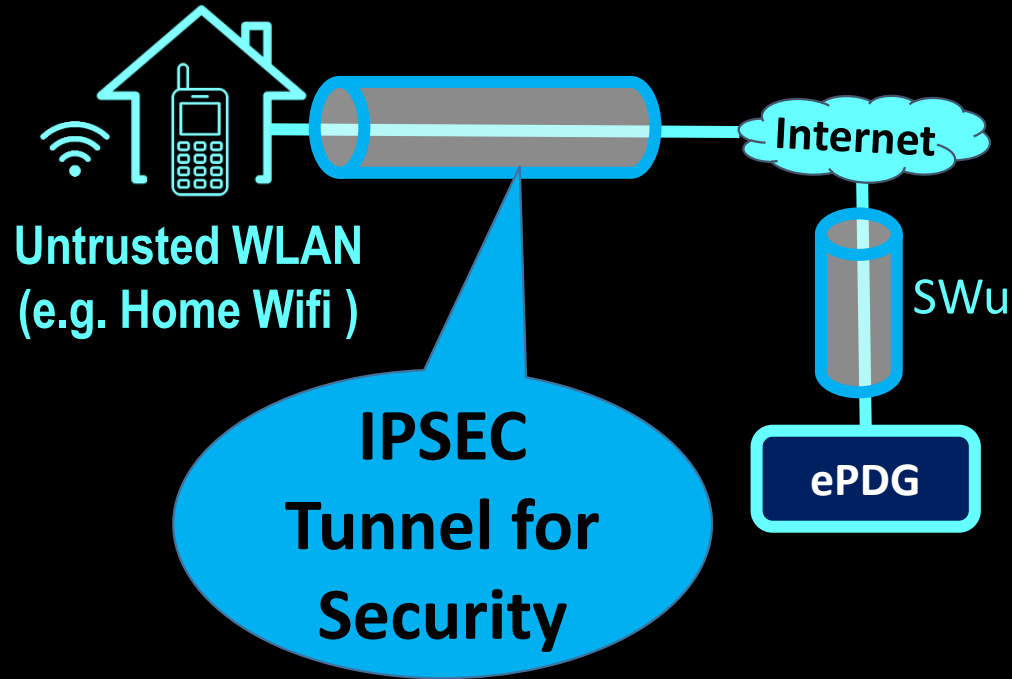
# Protocols Used



# SWu Interface



# What is IP Sec ?



Confidentiality



Integrity



Authentication



Anti-replay

## Authentication Header (AH)

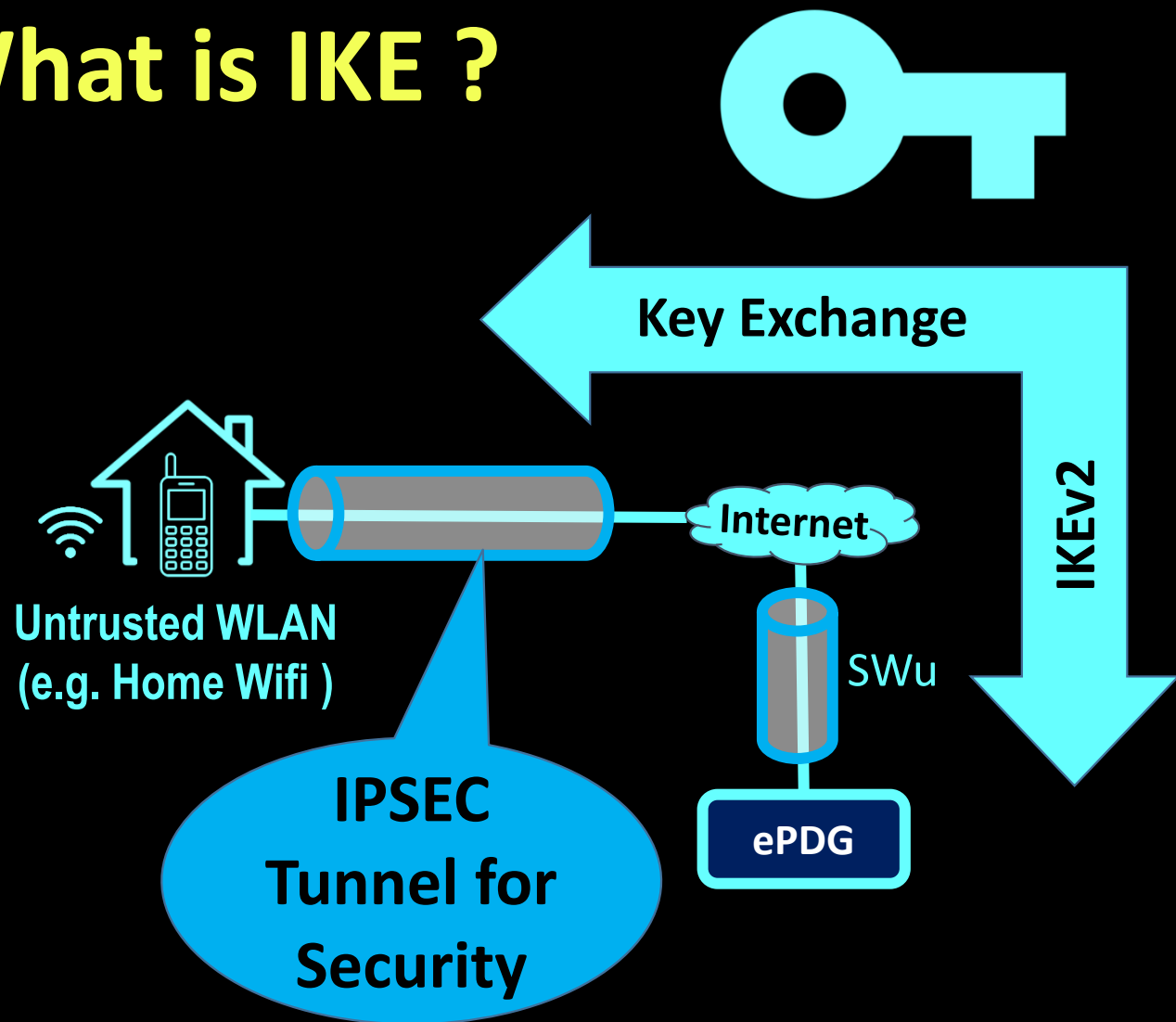
- Data integrity
- Data origin authentication
- Replay protection

## Encapsulating Security Payload (ESP)

- Encryption only
- Authentication only ( Integrity , Origin authentication , Replay protection )
- Both Encryption and authentication



# What is IKE ?



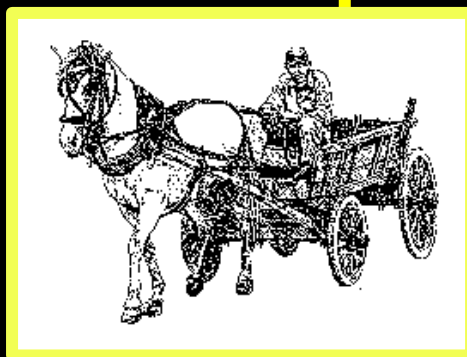
- Use of Internet Key Exchange (IKE) is
  - To generate the same symmetrical key independently for both Party
  - Key is used for encrypts and decrypts packets passing in tunnels
  - A Security Association (SA) is the outcome of an IKE negotiation
- IKE establish SA (security association) for either ESP or AH ( IPsec )

# S2b Interface

GTP PMIP

3GPP TS 29.274

Bearer



**VOLTE**



Radio

- QCI-5, SIP
- QCI-1, Voice
- QCI-2, Video

**S1**

SGW

S5 / S8

- QCI-5, SIP
- QCI-1, Voice
- QCI-2, Video

PGW

**VoWifi**



Internet

- IPSEC Tunnel
- SIP, Voice, Video

**SWu**

ePDG

S2b

- QCI-5, SIP
- QCI-1, Voice
- QCI-2, Video



Untrusted WLAN  
(e.g. Home Wifi)

Internet

SWu  
ePDG

S5, S8, S2b are similar, All do Bearer Management with PGW

S2b

S5/S8

eUTRAN



EnodeB

MME

SGW

S5/S8

PGW

EPC

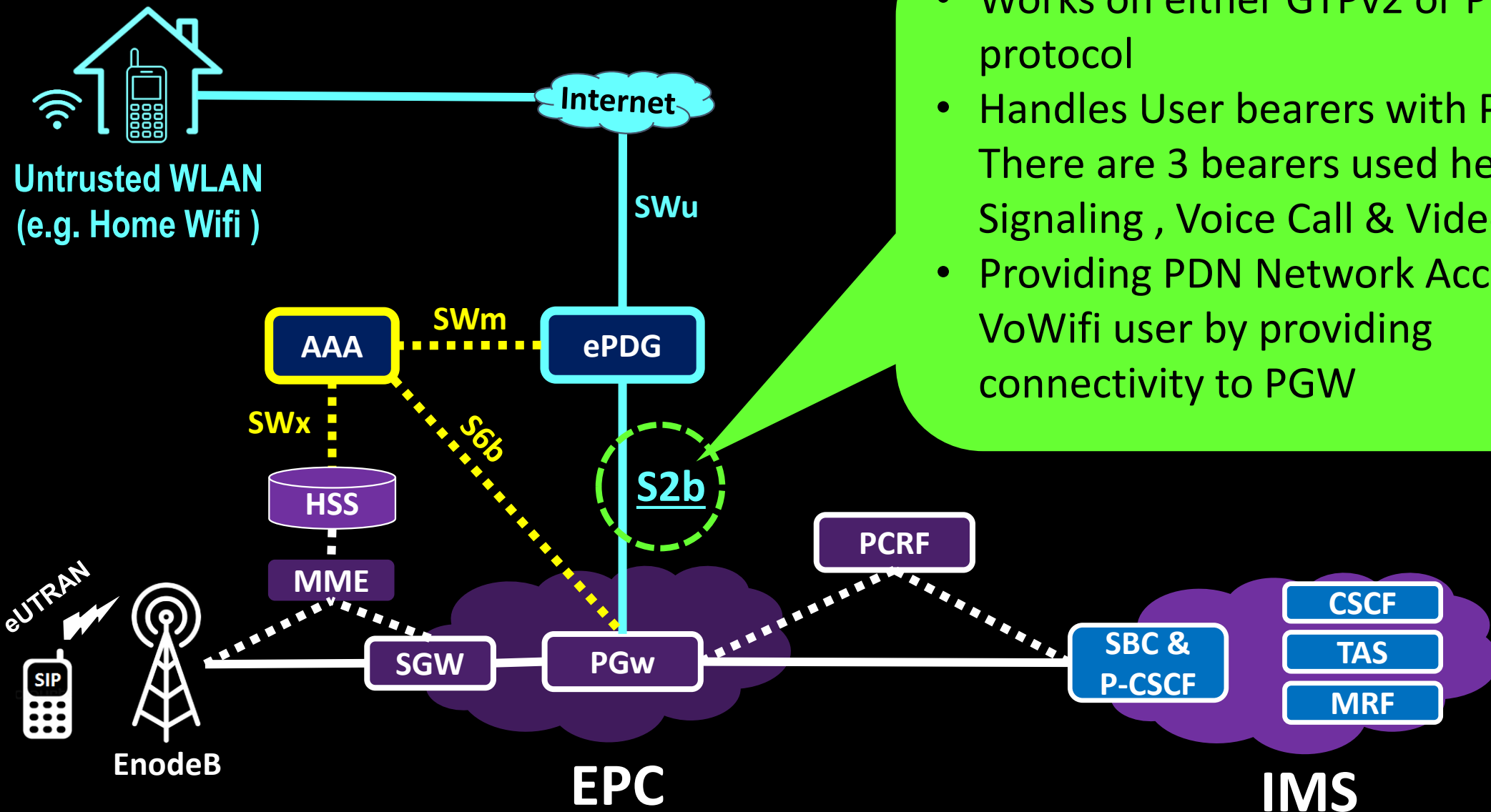
PCRF

SBC & P-CSCF

CSCF  
TAS  
MRF

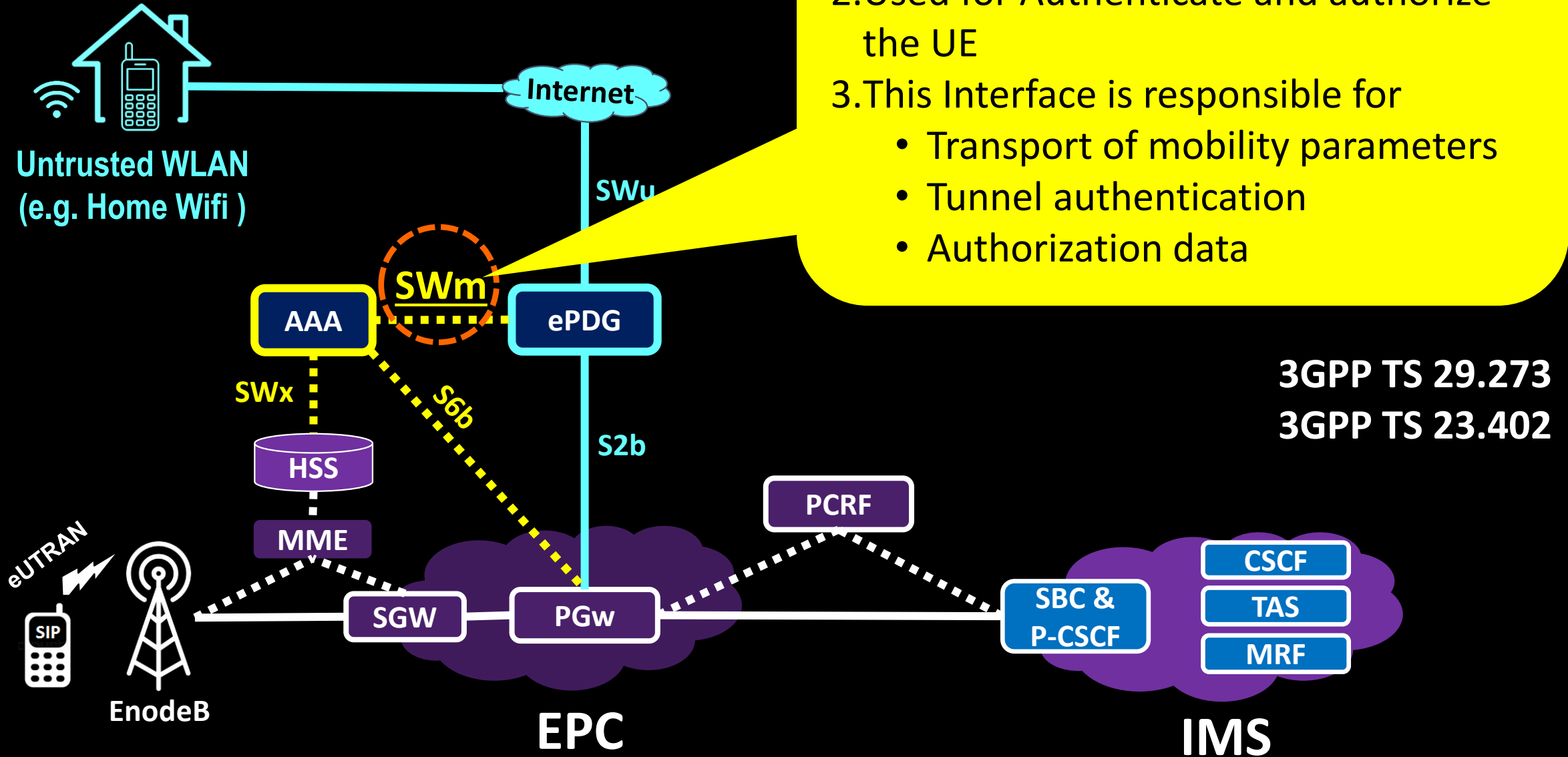
IMS

# S2b Interface



# SWm Interface

## Diameter



1. Connects ePDG to AAA
2. Used for Authenticate and authorize the UE
3. This Interface is responsible for
  - Transport of mobility parameters
  - Tunnel authentication
  - Authorization data



# SWm Interface

## Diameter

3GPP TS 29.273

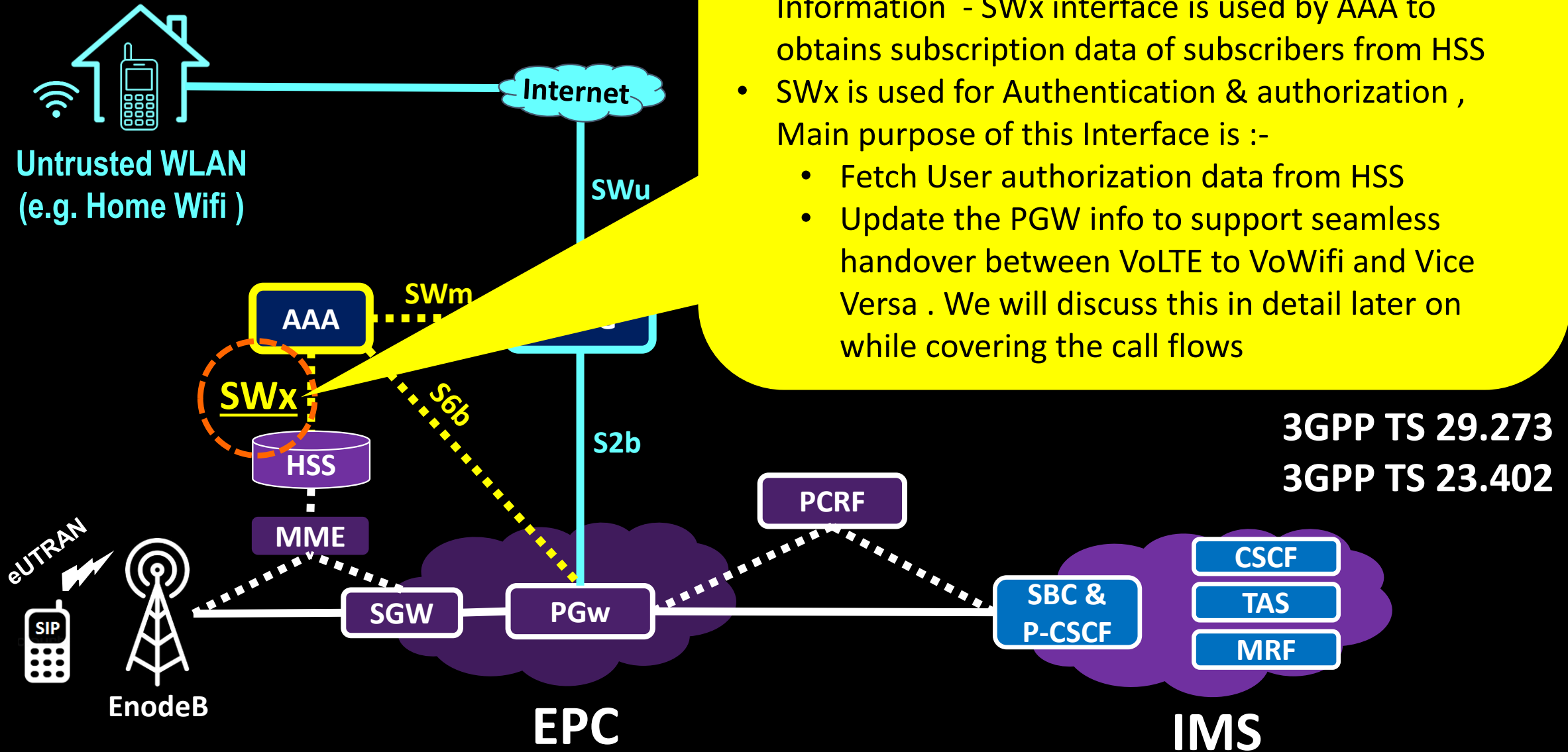
3GPP TS 23.402



- **DEA / DEA : Diameter-EAP-Request**
- **AAR / AAA : Authorization-Authentication-Request**
- **ASR / ASA : Abort-Session-Request**
- **STR / STA : Session-Termination-Request**
- **RAR / RAA : Re-Auth-Request**

# SWx Interface

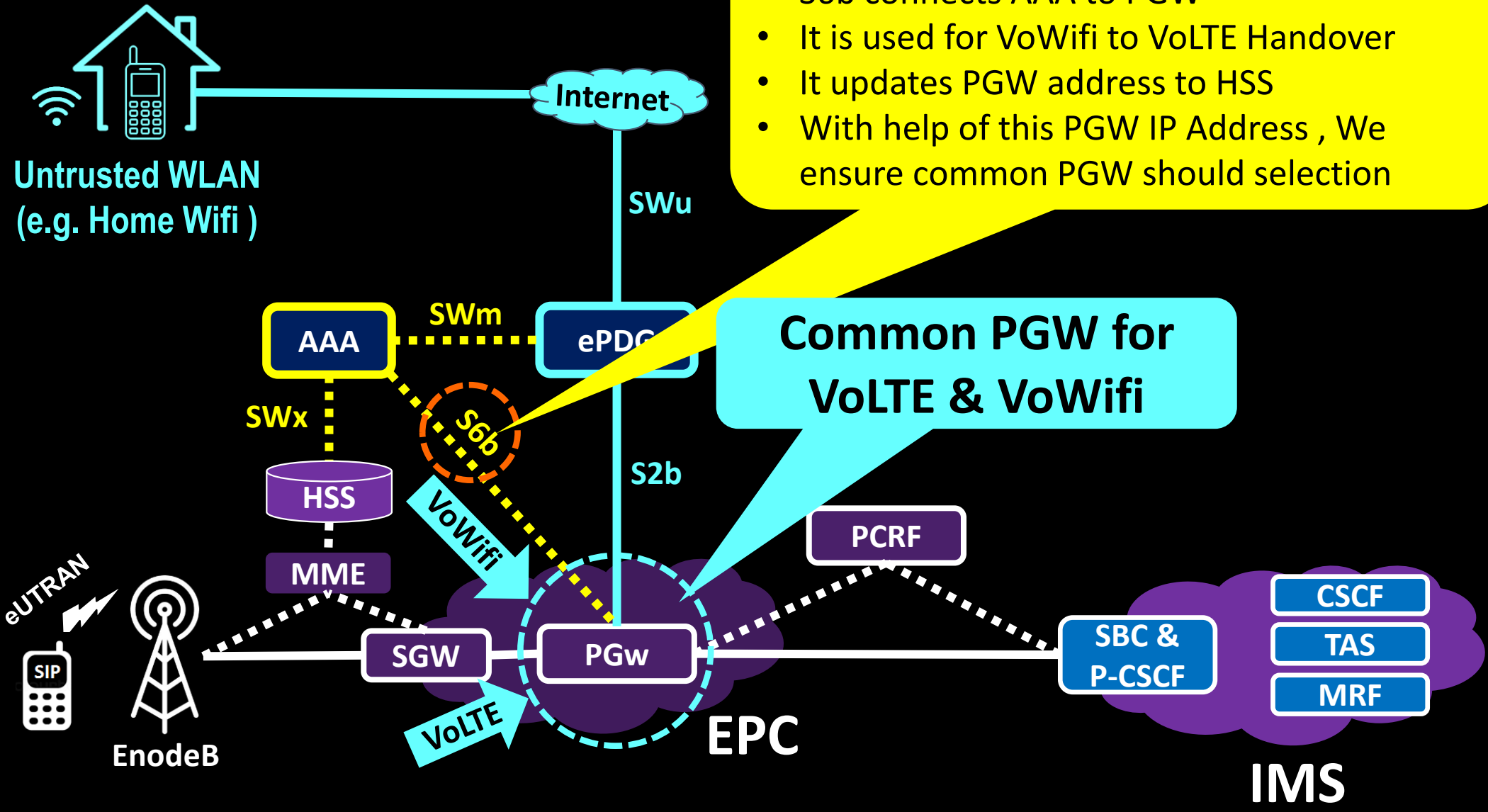
## Diameter



- Connect AAA to HSS
- HSS is repository and Database for all user Information - SWx interface is used by AAA to obtains subscription data of subscribers from HSS
- SWx is used for Authentication & authorization , Main purpose of this Interface is :-
  - Fetch User authorization data from HSS
  - Update the PGW info to support seamless handover between VoLTE to VoWifi and Vice Versa . We will discuss this in detail later on while covering the call flows

# S6b Interface Diameter

- S6b connects AAA to PGW
- It is used for VoWIFI to VoLTE Handover
- It updates PGW address to HSS
- With help of this PGW IP Address , We ensure common PGW should selection



**Common PGW for  
VoLTE & VoWiFi**



# Future Reading & References

## - RFC 7296

- Internet Key Exchange Protocol Version 2 (IKEv2)
- Basics of SWu Interface

## - 3GPP TS 29.274

- S2b interface by the ePDG to the PGW

## - 3GPP TS 29.273

- 3GPP EPS AAA interfaces
- AAA Links , Descriptions , Format & Usage

  
**THANK**  
**YOU**

**SUBSCRIBE**  


**LIKE**  


**SHARE**  


**COMMENT**  




**Vikas Shokeen**

**Get PPT Now**



**[www.TelecomTutorial.info](http://www.TelecomTutorial.info)**